

wall 

Mounted Wall Lamp
Mondi up code: 02.B.002

Finishes
 Natural Plaster Finish

Dimensions / Weight
 91x91x91mm / 600gr/pc

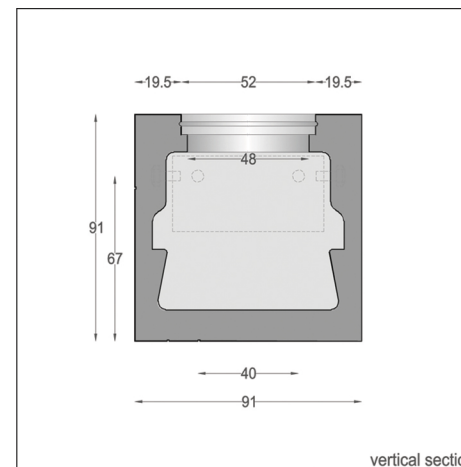
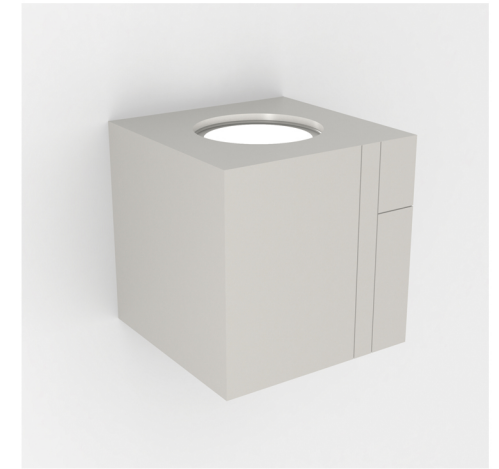
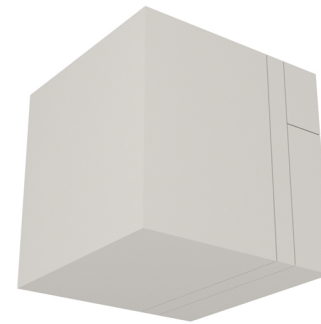
Lamp Holder
 GU10

Bulb shape / Lamp type / Max consumption / Voltage
 MR16 Led / 6Watt / 220-240V

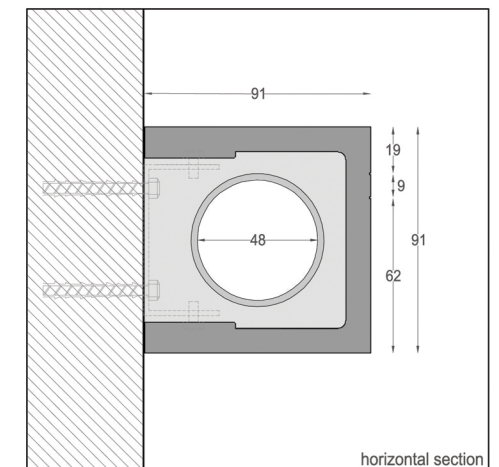
Features



Copyright © 2016 NamaModular. All rights reserved



vertical section



horizontal section