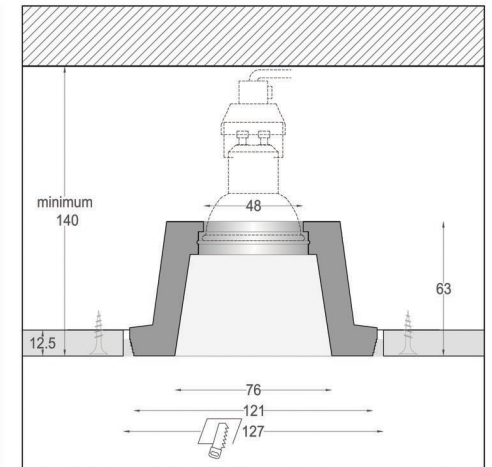
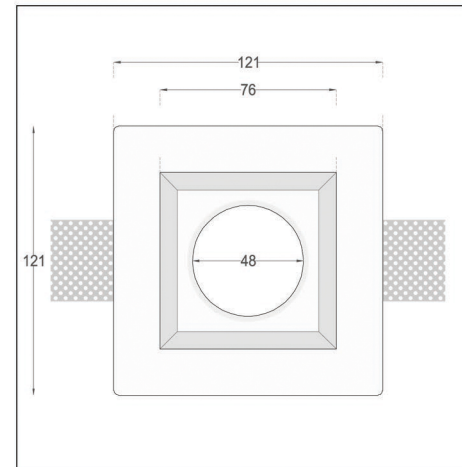


Fos 08 code: 01.A.008



ceiling 

Recessed Downlight

Fos 08 code: 01.A.008

Finishes

Natural Plaster Finish

Dimensions / Weight

121x121x63mm / 550gr/pc

Lamp Holder

GU10

Lamp type / Max consumption / Voltage

MR16 Led or Halogen / 50Watt / 220-240V

note: This recessed downlight can also be used with GU 5.3 / MR16 / 12V

Features

