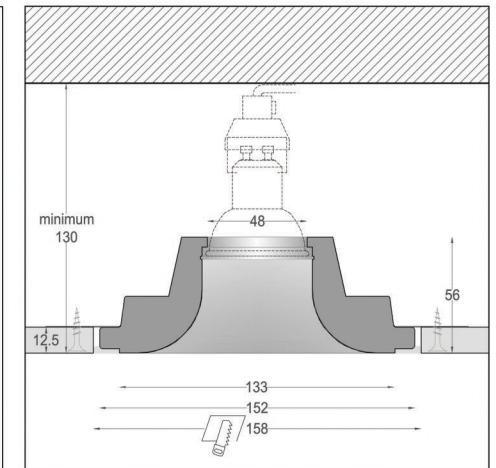
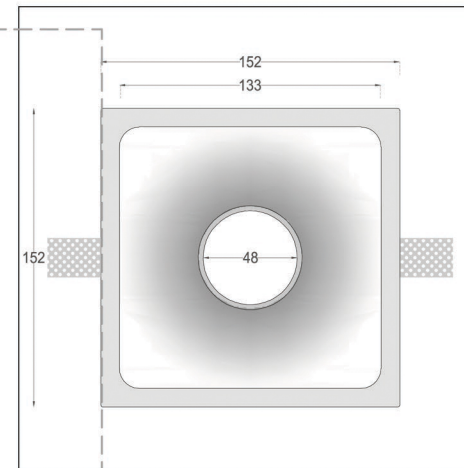


**Fos 05** code: 01.A.005



**Recessed Downlight**

**Fos 05** code: 01.A.005

**Finishes**

Natural Plaster Finish

**Dimensions / Weight**

152x152x56mm / 725gr/pc

**Lamp Holder**

GU10

**Lamp type / Max consumption / Voltage**

MR16 Led or Halogen / 50Watt / 220-240V

note: This recessed downlight can also be used with GU 5.3 / MR16 / 12V

**Features**

