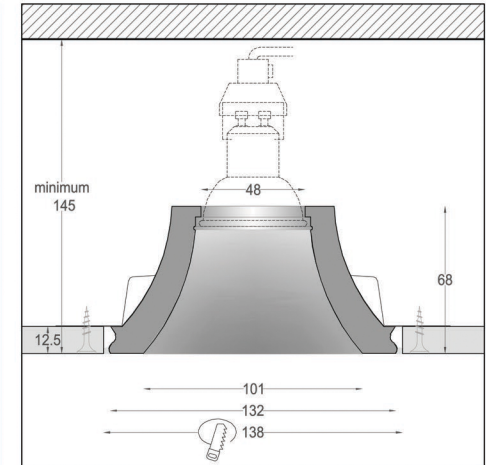
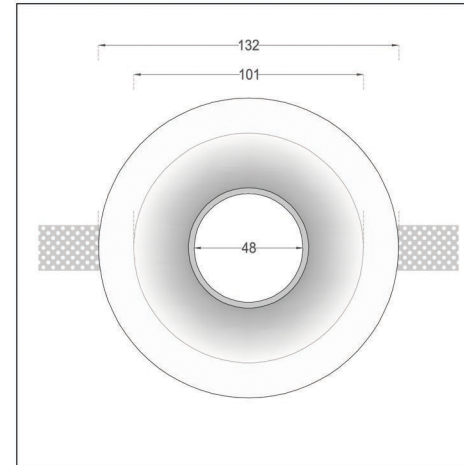


**Fos 03** code: 01.A.003



ceiling

**Recessed Downlight**  
**Fos 03** code: 01.A.003

**Finishes**  
Natural Plaster Finish

**Dimensions / Weight**  
D132x68mm / 500gr/pc

**Lamp Holder**  
GU10

**Lamp type / Max consumption / Voltage**  
MR16 Led or Halogen / 50Watt / 220-240V  
note: This recessed downlight can also be used with GU 5.3 / MR16 / 12V

**Features**

